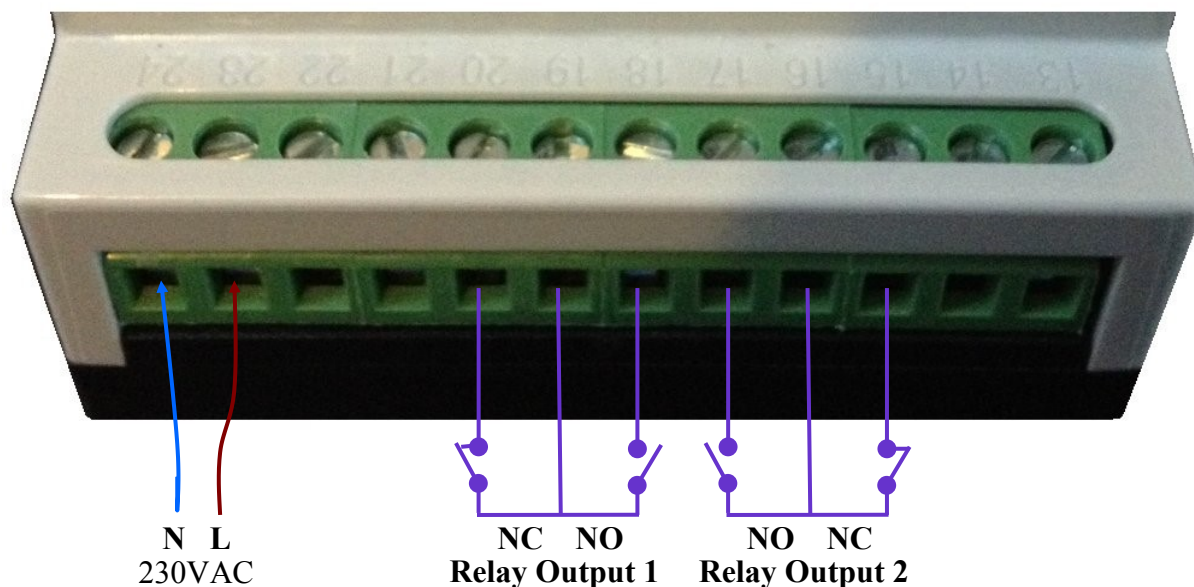


# SMS-Styring (50-002-T)

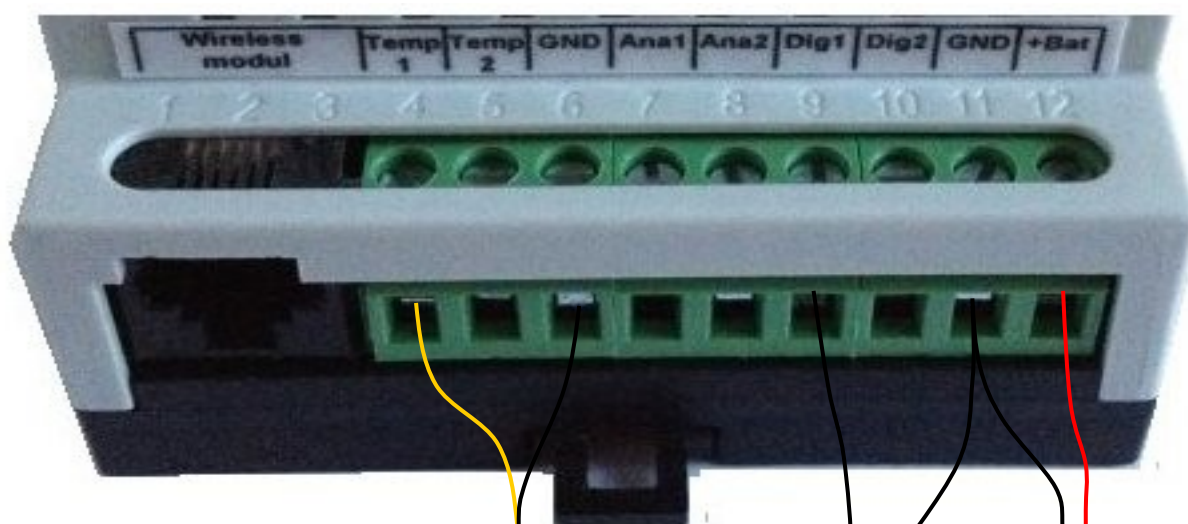
## Stærkstrøm terminal block



### Terminal Block:

24: N - Neutral - NUL	20: Relay Output 1 (NC)	17: Relay Output 2 (NO)
23: L - Live (Phase) - FASE	19: Relay Output 1 (C)	16: Relay Output 2 (C)
22: Not Connected	18: Relay Output 1 (NO)	15: Relay Output 2 (NC)
21: Not Connected		14: Not Connected
		13: Not Connected

## Svagstrøm terminal block



### Terminal Block:

4: Temperatur Sensor 1
5: Temperatur Sensor 2
6: GND (-)
9: Digital input 2
10: Digital input 1
11: GND (-)
12: Batteri Input (Only Legtech battery)

Temp. Sensor



Vand sensor / Flyder / Svømmer

